

[Pumpkin Review] Android 5.1 Car GPS Radio for VW Passat Golf Jetta-RQ0370E



I got this [Pumpkin](#) car radio to replace my [VW](#) OEM Delta Acquired 6. The old Delta 6 radio can play only CDA format .As I had been tired of constantly playing "DiscJokey", I looked around to find a radio capable of mp3.

After a lot of research,I came across the brand Pumpkin.And before I bought the radio,I had contacted with the seller to figure out a few details.

Now the following is my review for the individual components.

Optics and Processing:

The optics is very well aligned with the cars , “perfect fit” and integrated very well into the center console.

The processing is very nice on my opinion and can find no defects.Only my car model (Sharan mod. 2005) has the original Radio slot in depth with a little help and a brace remove PVC as the new pumpkin radio by approx. 5 mm deeper – which was built again and no problem – because it was really the only thing what I need to modify.Even the supplied Quadlock adapter fit the occupancy, however I have ordered already an CanBus adapter to my original LRF to continue to operate and maintain even the other odds and ends. (A dimming, / off, automatic, etc.),but it’s still possible with the supplied CanBus.

Radio:

Adatper plugged and the reception is as well as Delta 6 in the VW. Also, the use is self-explanatory and very easy.

MP3:

The device play pretty much any existing file types. And,yes, you can create folder and save it in these mp3 files – they are displayed without problems.I have for example created multiple folder with mp3 and can move freely in each folder and click on the individual files.And it also goes with the videos (mp4, mpv,...), etc.

DVD Player:

Have several original tried DVD – it has no country code, and has played all – and even very quickly, I will have far longer need of this DVD player than the integrated drive.

GPS/ Navi:

This is integrated with iGo (I think worldwide map).The current version (10/2015) is much better, the translation errors are almost completely gone, and the maps are also currently 10/2015.The reception of the supplied GPS sensor is very good! Also, the route is very easy and well kept. You can install any arbitrary Navi app (because Android PlayStore exists).

Conclusion:

It's different from the old style devices.You may not believe this is a normal tablet with an AM / FM receiver and DVD Drive connection.I was convinced so far, the software developers have thought about on the implementation to the hardware.

Plus / Minus:

- + Optik
- + GUI
- + Radio
- + DVD
- + GPS Empfang (sehr gut, immer 8 bis 11 Sat.)
- + mp3 Player
- + Bluetooth

+ Verarbeitung

+ Zubehör

- partly language implementation (more in depth)

- some very shallow description (product)

- some very unusual manual

-No clear installation instructions / recommendation (eg. where GPS sensor, etc. to be preferably installed)

-confusing product description, no details what GPS software exists, etc.

However,I give a clear buy recommendation!

PS:As soon as I have news on the topic of "CanBus Adapter" and "[rearview camera](#)" I'm going to publish also.

Click to check more [Android 5.1](#),[Android 6.0](#) Car GPS Stereo on Pumpkin official websites:

Pumpkin US: www.autopumpkin.com

Pumpkin UK: <http://ift.tt/29hvZcz>

Pumpkin DE: www.autopumpkin.de

via Blogger <http://ift.tt/2dCmMZI>

[\[Customer Review\] Pumpkin](#)

Android 5.1 Adjustable Angle Touchscreen In Dash Car Radio Receiver DVD GPS Navigation



[Pumpkin Android 5.1 Car GPS DVD with Adjustable Angle Touchscreen](#)

Awesome stereo has many features.

-by LVN

Awesome stereo I would recommend this to a friend. I purchased this [Pumpkin](#) double din stereo for my [Jeep](#) grand Cherokee 2004. This was not an easy install as my car accepts only a [single din stereo](#), but I have a long history of installing stereos, and already had a fairly good idea of what to do. I also purchased a aftermarket bezel that allowed me to put the two din into my one din stereo.

For anyone who does not have any sort of previous electronic or stereo experience, this would normally require custom professional installation if you did not already have a double din space.

As for the stereo itself, let me start by saying that the stereo is very complicated and has many features. It is made by [pumpkin](#) which given how much German was in the manual I believe may be a Company of German origin. I am very impressed by the stereo. I have watched movies on DVD, used apps like the Calculator, surf the Internet use in the Wi-Fi at my home and at businesses like McDs that offer free Wi-Fi. I had no problems with logging in to any of their permission screens. The Internet antenna is very impressive the FM radio antenna Works well and also offers a auto-program feature I ended up with probably 50 local stations. Some of which, obviously, were better than others.

This is an awesome stereo and I hope it lasts for a long time and appears that it will. I have been using the stereo for about three weeks and I have enjoyed every feature. It also has a function where you can turn off the display while still listening to music and this is great because I have sensitive

eyes and nighttime driving a 7 inch screen can be very distracting so I thought this was a great feature. There are many other functions and features that I have not used .

Click to check more [Android 5.1](#),[Android 6.0](#) Car GPS Stereo on [Pumpkin](#) official websites:

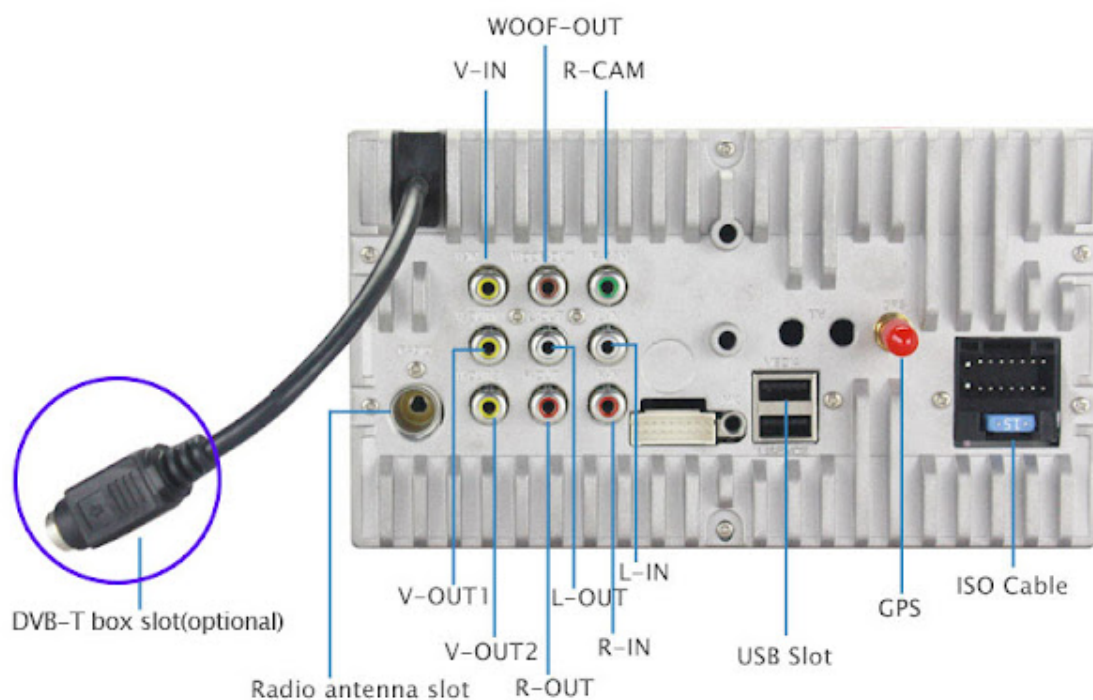
Pumpkin US: www.autopumpkin.com

Pumpkin UK: <http://ift.tt/29hvZcz>

Pumpkin DE: www.autopumpkin.de

via Blogger <http://ift.tt/2ecS51a>

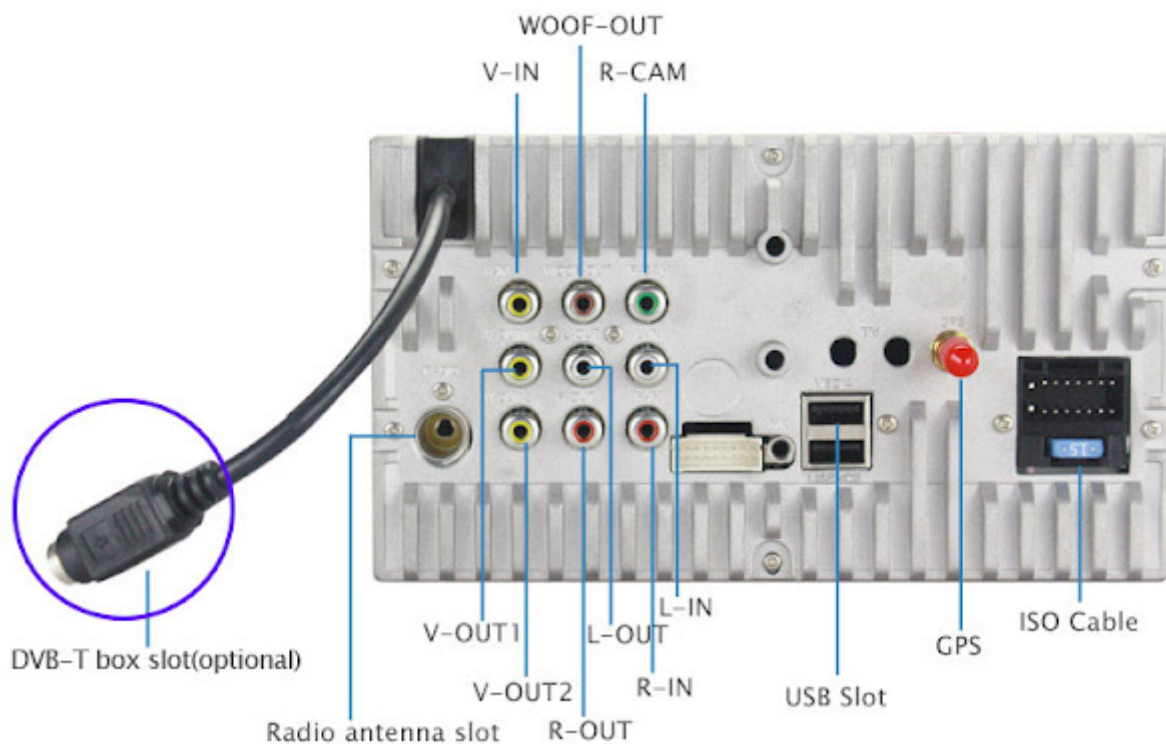
[How to Connect the Digital TV DVB-T Box to Pumpkin Car Radio GPS DVD Stereo](#)



Please Note:

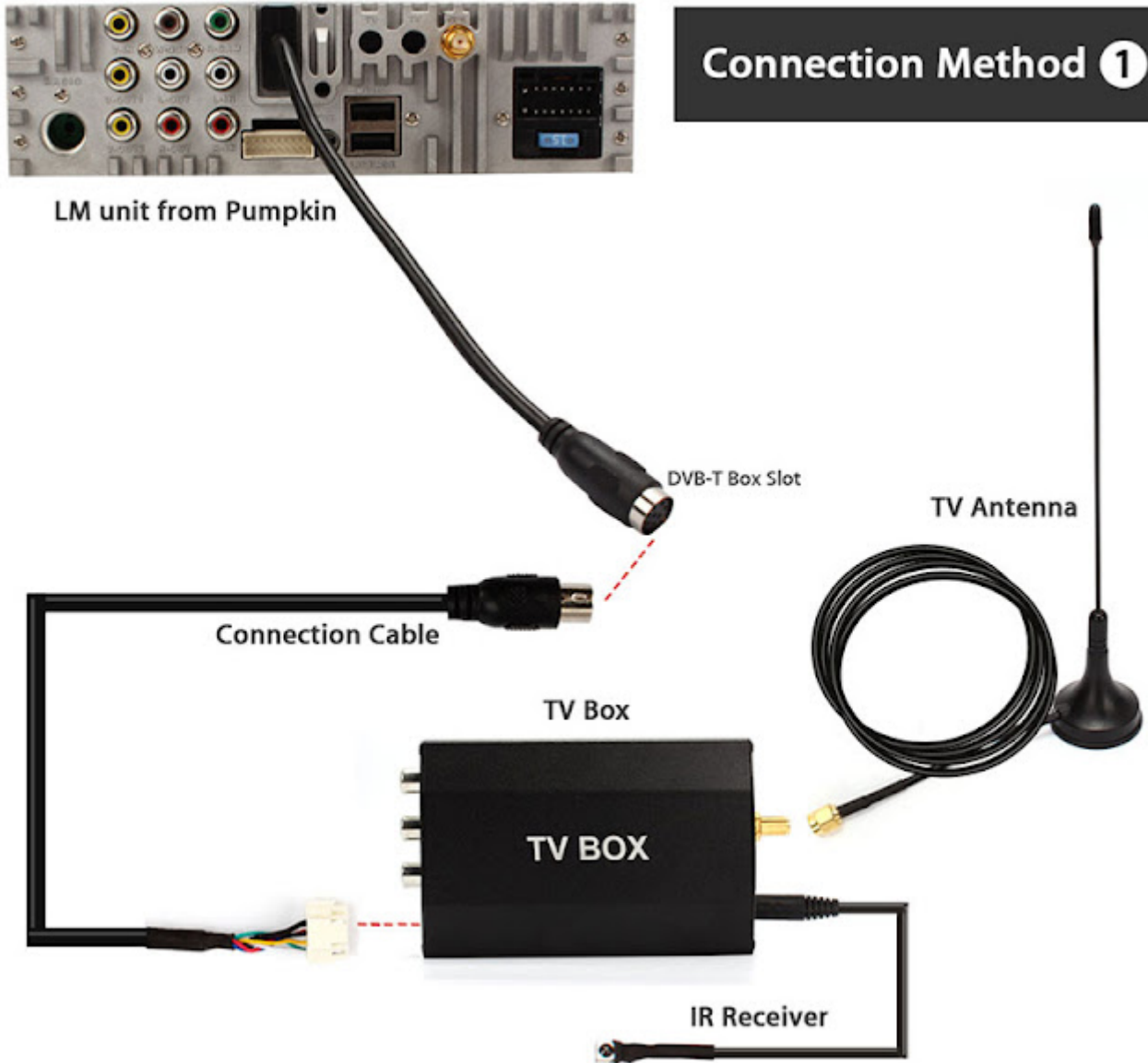
All the following description are based on the [Pumpkin](#) Car GPS Radios, if your devices is not purchase from us, those tips may be not suitable!

If you are using the head unit with rear side like the following picture showed with [DVB-T](#) TV port,

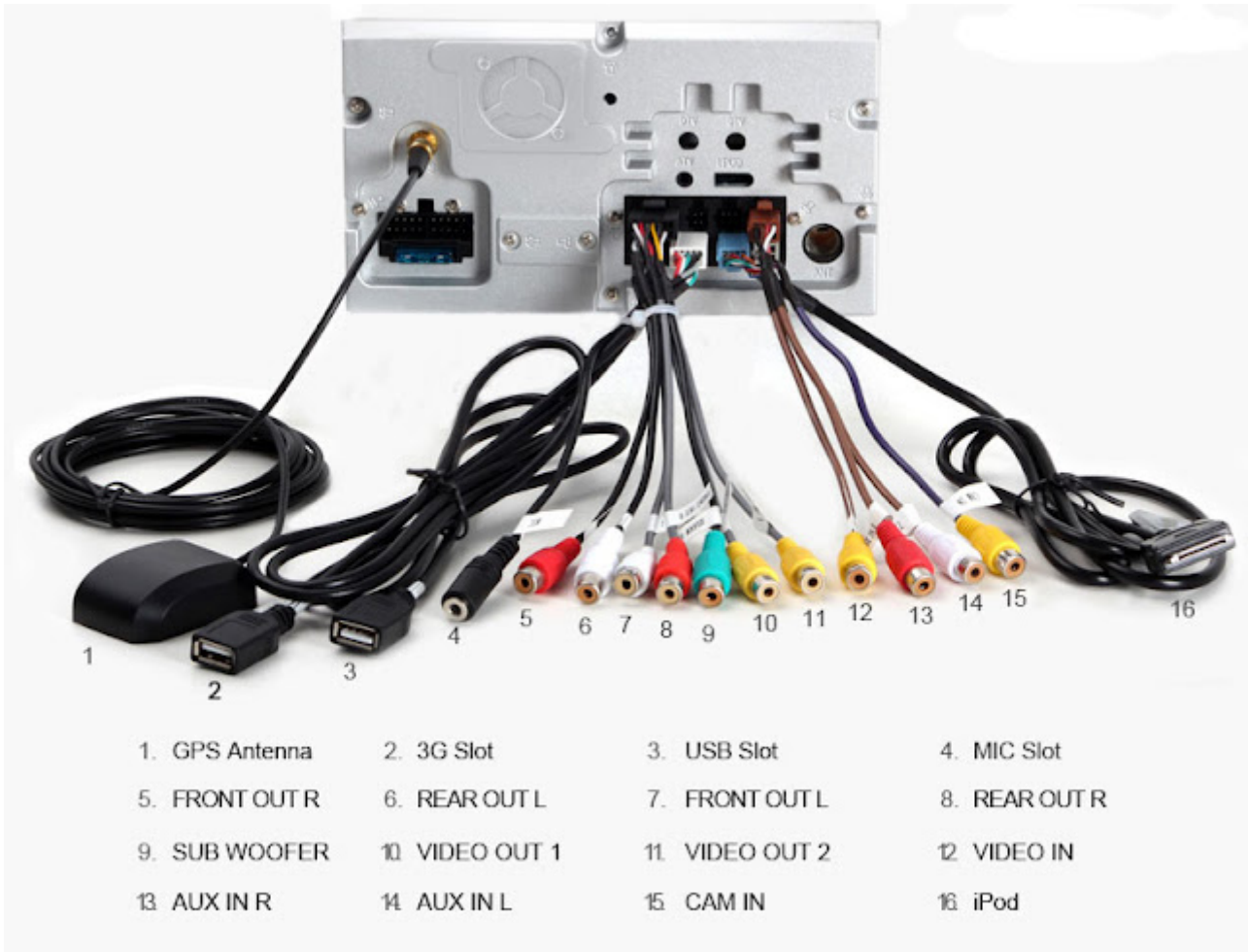


you may connect the digital TV box like this, and you can also operate and control the TV box via the touchscreen of the headunit. And the TV box gets power from the headunit, so you do not need to wire extra wire to get power for the box.

Connection Method 1



If you are using the car gps stereo with rear side like the following picture showed without DVB-T TV port, only with RCA video/audio input port,



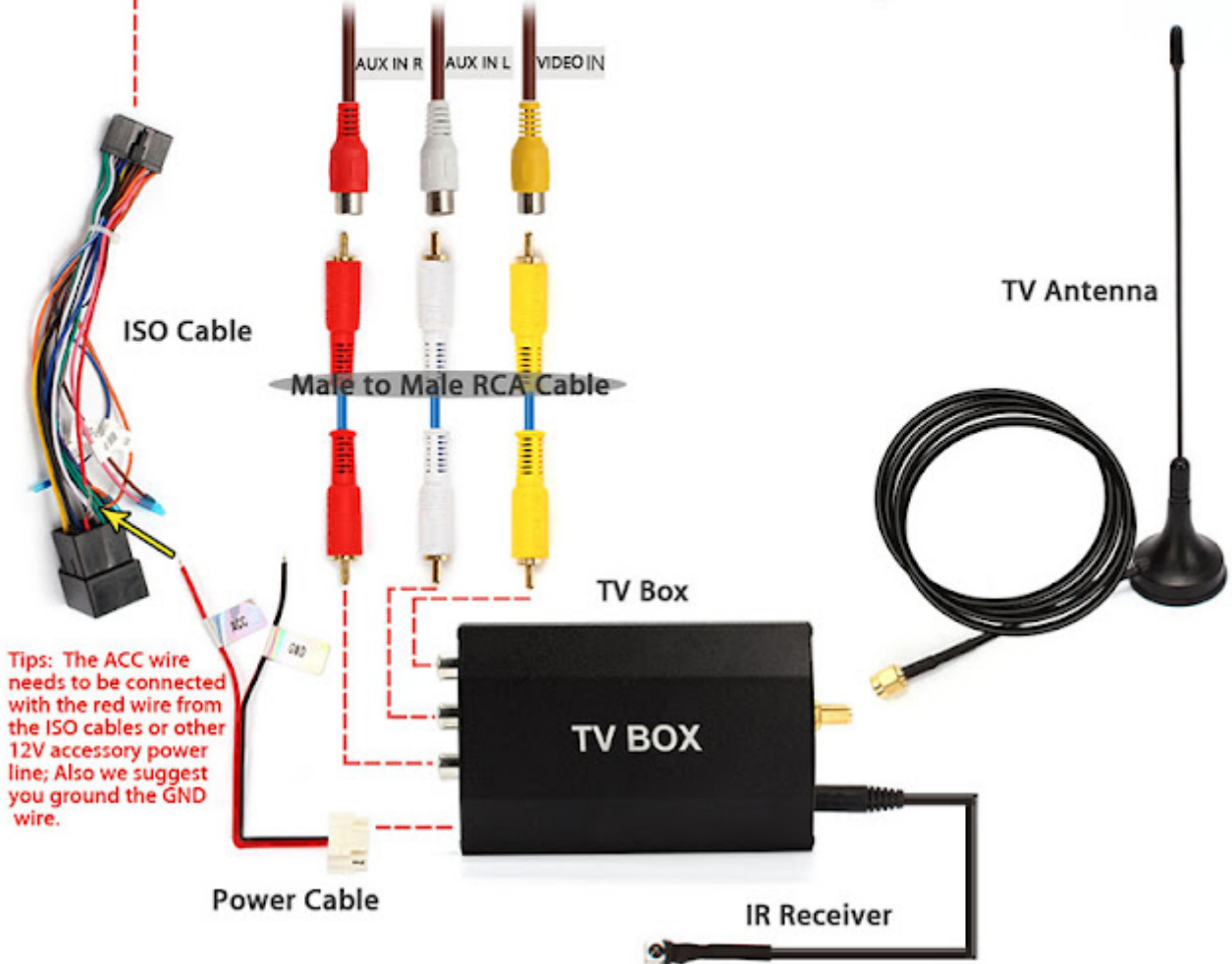
you may connect the digital TV box like this, but you can not operate and control the TV box via the touchscreen of the headunit, you can only use the remote control of the TV box to do that, and the headunit only works as display monitor. And you may need to connect the power lead of the TV box to give power supply to the TV box.



----->The other Pumpkin units

Connection Method 2

Notice: The Male to Male RCA Cable and Car DVD Player are not included.



And now we also have some newly listed item which with the rear side like the following link shows, you can use the convert cable which is standard include into the digital tv box to connect. You can also operate and control the TV box on the headunit screen, and the TV box gets power from the headunit.



Click to check [Android 5.1,Android 6.0](#) Car GPS DVD Player on [Pumpkin](#) official websites:

Pumpkin US: www.autopumpkin.com

Pumpkin UK: <http://ift.tt/29hvZcz>

Pumpkin DE: www.autopumpkin.de

via Blogger <http://ift.tt/2ejD5yV>
