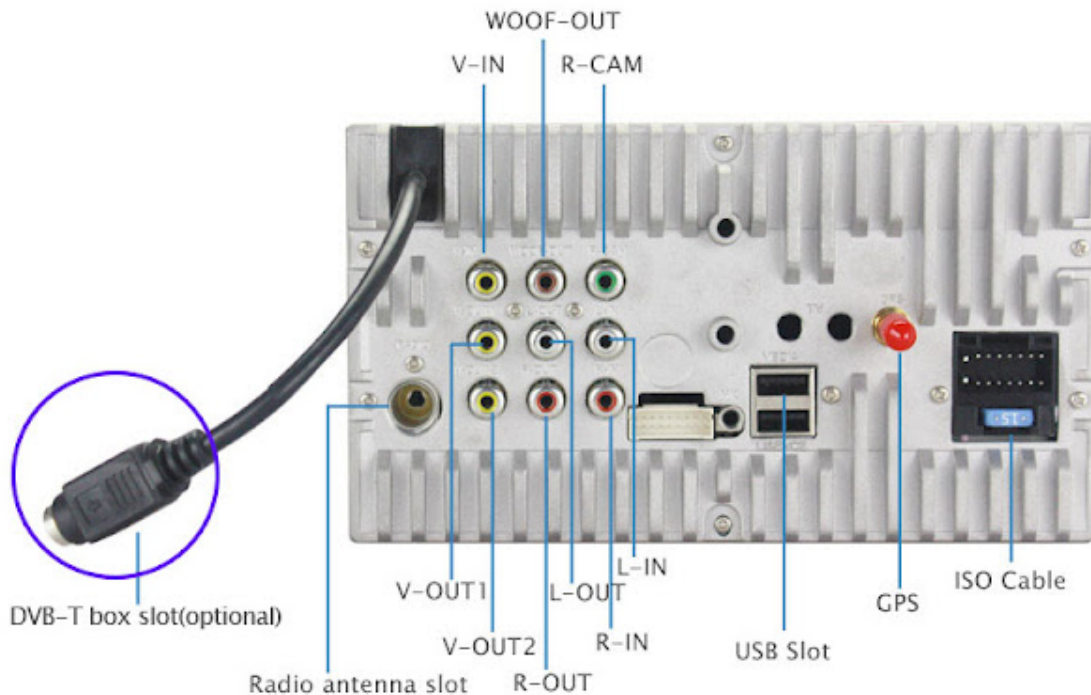


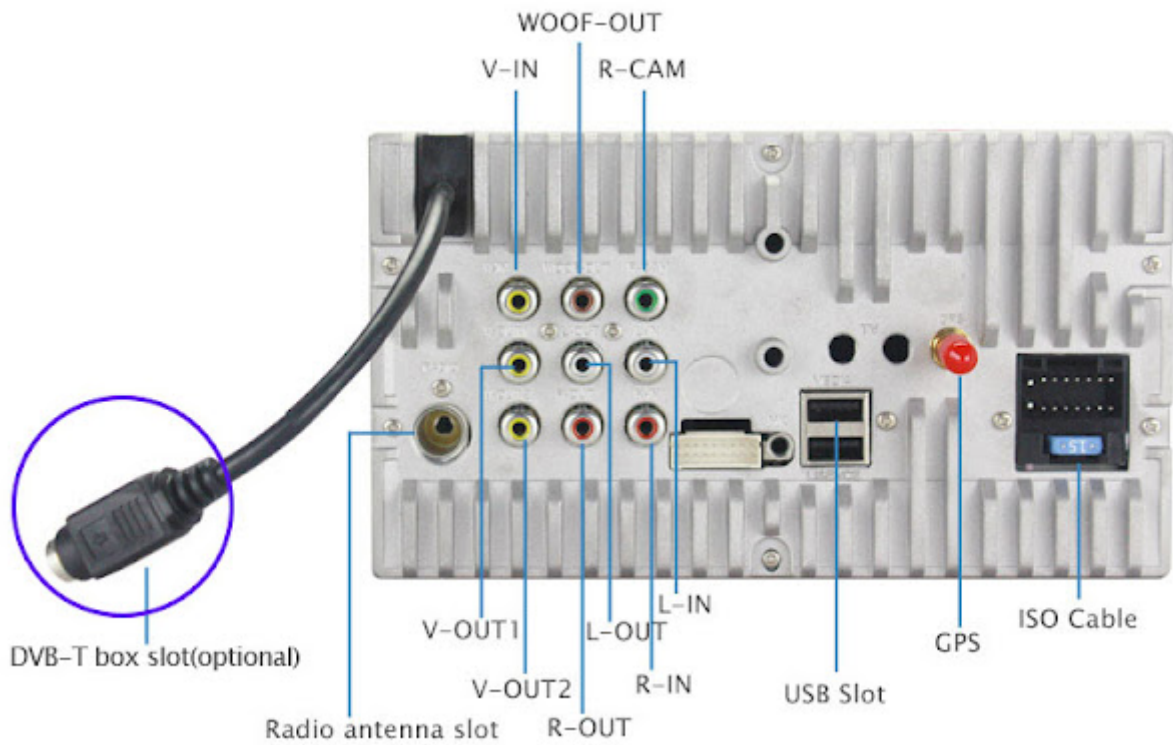
How to Connect the Digital TV DVB-T Box to Pumpkin Car Radio GPS DVD Stereo



Please Note:

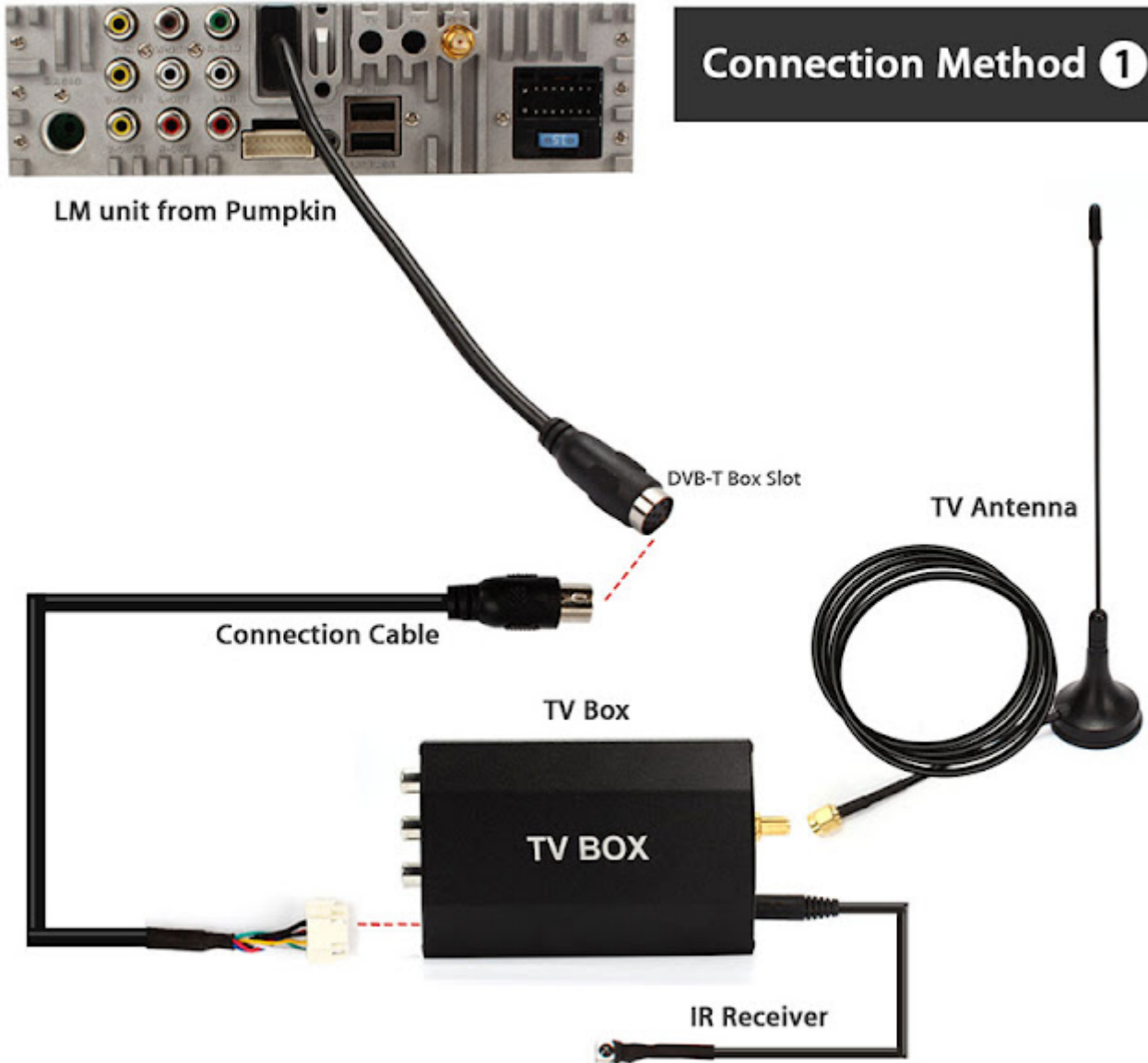
All the following description are based on the [Pumpkin](#) Car GPS Radios, if your devices is not purchase from us, those tips may be not suitable!

If you are using the head unit with rear side like the following picture showed with [DVB-T](#) TV port,

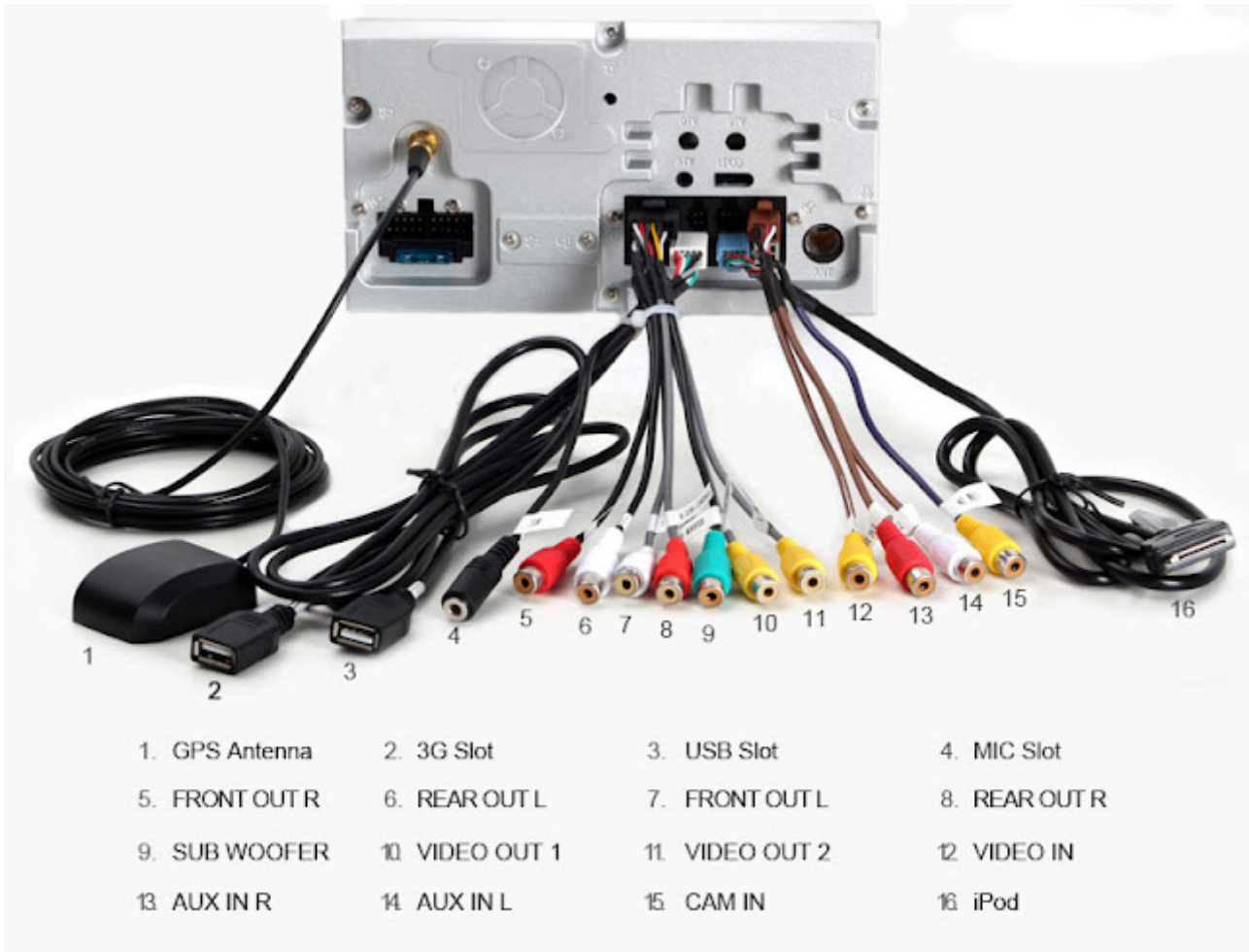


you may connect the digital TV box like this, and you can also operate and control the TV box via the touchscreen of the headunit. And the TV box gets power from the headunit, so you do not need to wire extra wire to get power for the box.

Connection Method 1



If you are using the car gps stereo with rear side like the following picture showed without DVB-T TV port, only with RCA video/audio input port,



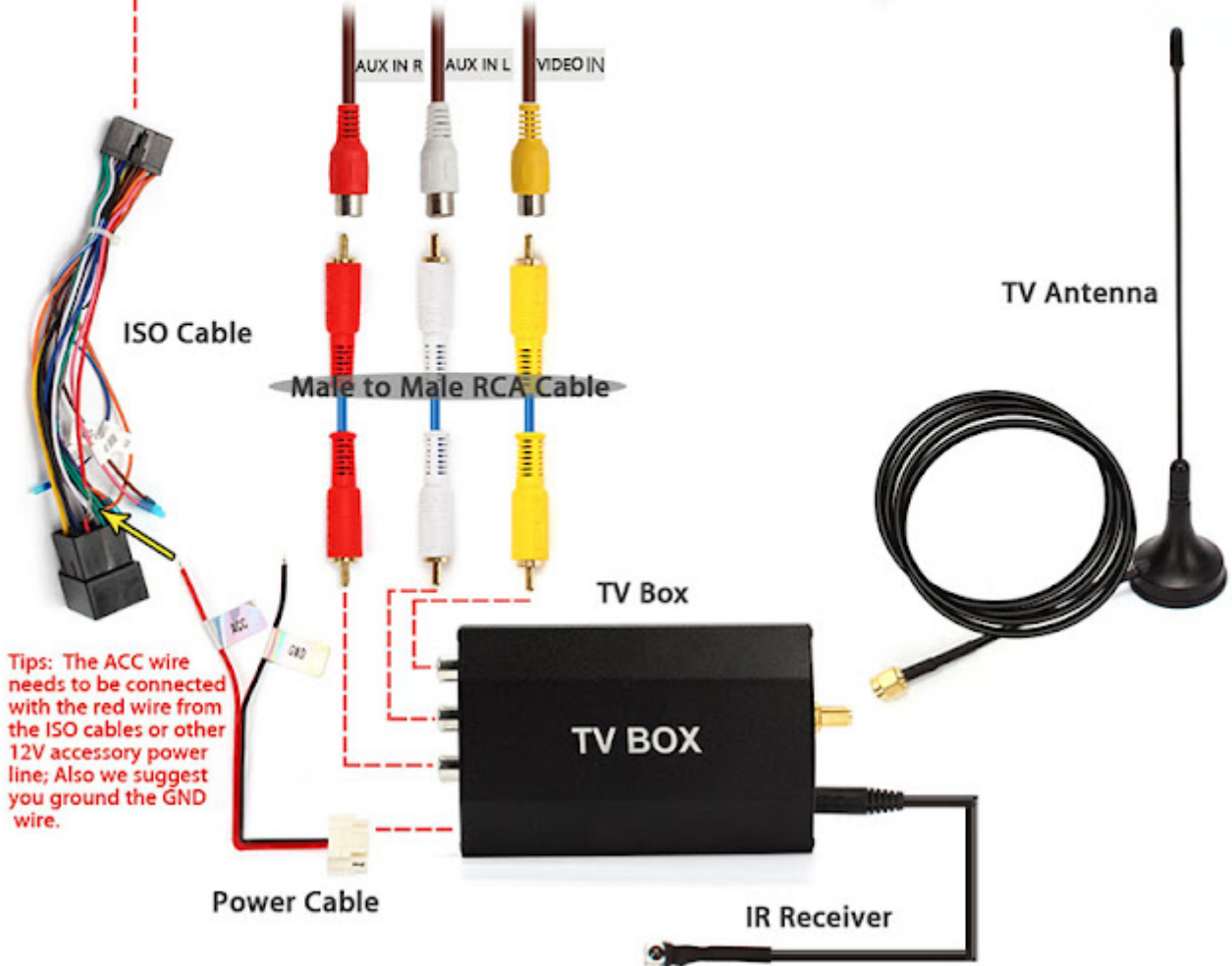
you may connect the digital TV box like this, but you can not operate and control the TV box via the touchscreen of the headunit, you can only use the remote control of the TV box to do that, and the headunit only works as display monitor. And you may need to connect the power lead of the TV box to give power supply to the TV box.



----->The other Pumpkin units

Connection Method 2

Notice: The Male to Male RCA Cable and Car DVD Player are not included.



And now we also have some newly listed item which with the rear side like the following link shows, you can use the convert cable which is standard include into the digital tv box to connect. You can also operate and control the TV box on the headunit screen, and the TV box gets power from the headunit.



Click to check [Android 5.1,Android 6.0](#) Car GPS DVD Player on [Pumpkin](#) official websites:

Pumpkin US: www.autopumpkin.com

Pumpkin UK: <http://ift.tt/29hvZcz>

Pumpkin DE: www.autopumpkin.de

via Blogger <http://ift.tt/2ejD5yV>